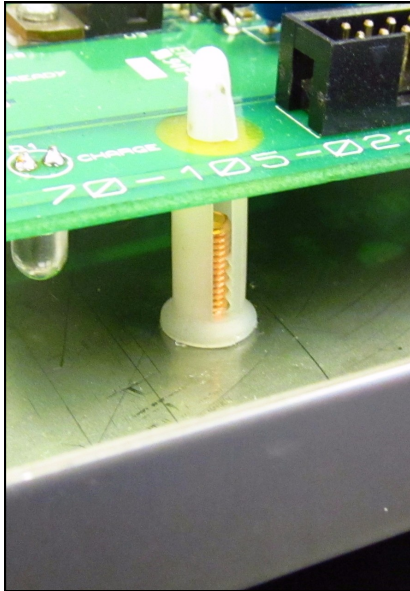




# Studfast Studwelding Ltd

## Application Data Sheet #1



This Application Data sheet actually shows 2 applications in one publication—**Printed Circuit Board Spacer** and **Earthing Tags**.

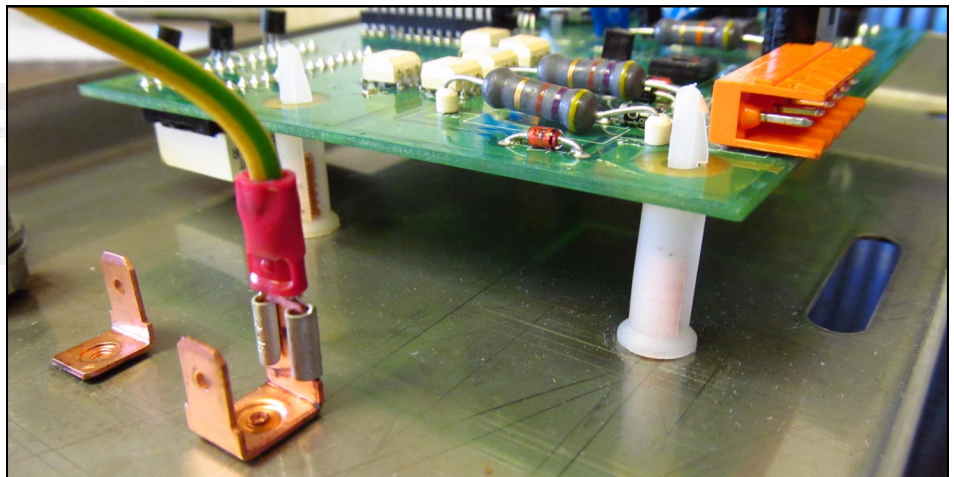
The spacers fit over an M4 weld stud welded to the enclosure. They can be pushed on then quarter turn to lock.

Studfast can advise on templating and alternative methods of fixing PCB's should it be required

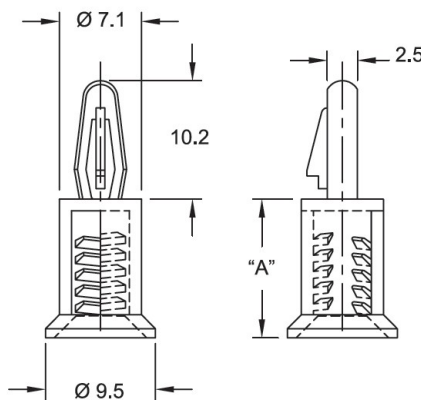
The second application is Earthing tags. We are able to supply single or double tags for grounding applications.

These are available in all 3 common materials Steel, Stainless and Aluminium.

Pt no T3006013 (single Mild Steel) T3006013D (Mild Steel Double).



Top Hole: Snap-lock:  $4 \pm 0.08$   
Panel Thickness: 1.57



Bottom Hole: To fit a metal M4 screw or stud

Part Number	"A"	Stud LAW
SFCBS-M4-10M-01	10	8
SFCBS-M4-12M-01	12	10
SFCBS-M4-14M-01	14	12
SFCBS-M4-18M-01	18	16

Weld studs are available in Mild Steel, Stainless Steel & Aluminium Alloy—part numbers below.

Stud LAW	Mild Steel	Stainless	Aluminium
8mm	C3M04008	C2M04008	C1M04008
10mm	C3M04010	C2M04010	C1M04010
12mm	C3M04012	C2M04012	C1M04012
16mm	C3M04016	C2M04016	C1M04016

Studfast Studwelding Ltd

5 Low Farm Place  
Moulton Park  
Northampton. NN3 6HY